



DEPARTMENT OF PURCHASING AND CONTRACTS

15470 FLIGHT PATH DRIVE ♦ BROOKSVILLE, FLORIDA 34604
P 352.754.4020 ♦ F 352.754.4199 ♦ W www.HernandoCounty.us

November 17, 2022

(via email: amestre@empirepipe.com)

Mr. Alex Mestre, Vice President
Empire Pipe & Supply
2260 Old Lake Mary Road
Sanford, FL 32771

RE: Notice of Rejection of Bid ITB No. 22-T00124/JG PURCHASE OF METER BOXES AS NEEDED

Dear Mr. Mestre,

Pursuant to the Bid Specifications for ITB No. 22-T00124/JG Purchase of Meter Boxes as Needed, your firm's Bid Response has been rejected.

Empire Pipe and Supply submitted a bid that did not comply with the Technical Specifications of the bid. Paragraph 10 Section 3.C.1. states, "*The polymer body shall be flared and have a minimum of 3/8" wall thickness.*"

Per the Technical Submittal provided with your bid, Page 47 shows the Sigma meter box diagram. According to the measurements reflected on the diagram, the box is straight walled. I have attached the diagram for the DFW Plastics, Inc. box (Exhibit B from the solicitation) showing the flared wall as specified as a requirement in the solicitation.

Your firm's Bid Response has been deemed Non-Responsive and is being rejected in compliance with Paragraph 8 Section 11. **Rejection of Bid:**

The County reserves the sole right to reject any and all bid submissions. Bids which are incomplete, unbalanced, conditional, obscure or which contain additions not required, or irregularities of any kind, or which do not comply with every aspect of this solicitation, may be rejected at the option of the County. A Vendor/Contractor shall not be qualified to bid when an investigation by the Chief Procurement Officer finds the Vendor/Contractor delinquent on a previously awarded contract or in litigation with a Hernando County previously awarded contract.

Sincerely,


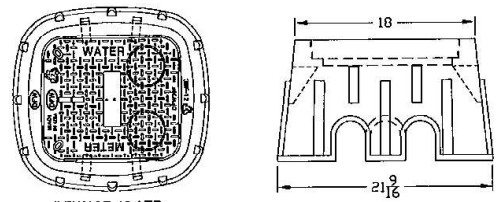
For: Toni Brady
Chief Procurement Officer

TB/jg
Attachment

pc via email: Gordon Onderdonk, P.E., Director of Utilities
Ricky Leach, Operations Manager
Josh Martin, Water Distribution Supervisor
Grace Sheppard, Finance Manager
Katrina Tejera, Operations Assistant

cc: Finance
Clerk of the Court
Contract File No. 22-T00124/JG

EXHIBIT B

 <p>DFW PLASTICS, INC.</p> <p>PO Box 648 Bedford Texas 76034 USA Tel: 817.439.3600 Fax: 817.439.3700 http://www.dfwplasticsinc.com</p>	 <p align="center">DFW39F-12-1EP</p>
<p>DFW39F-12-1EP</p>	<p>19 x 18 x 12 Black Polymer Flared Box w/ Black Polymer Solid Lid</p>

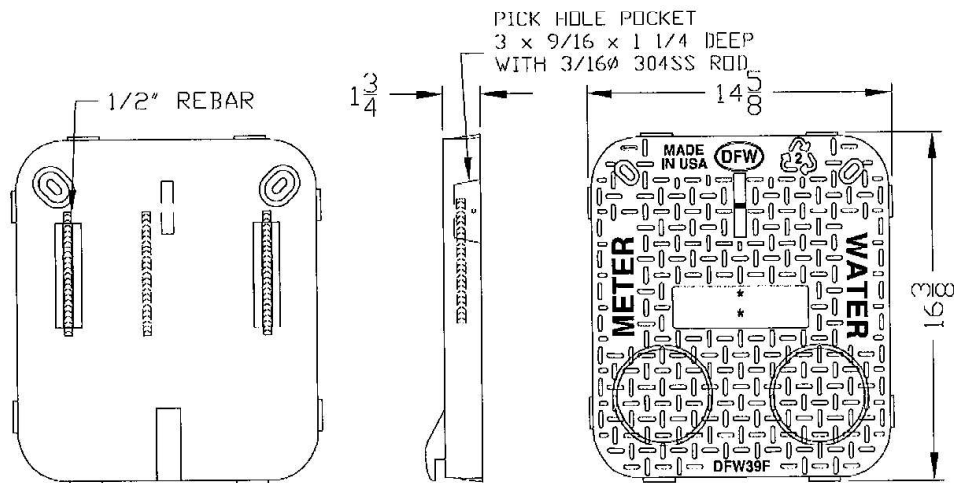
This product is designed to withstand loading in non-deliberate and incidental traffic. Not to be installed in roadway. Meter Box shall be black and constructed out of modified polyethylene material for maximum durability and corrosion resistance. The black material is for maximum UV protection. The black material shall be uniform throughout the Meter Box for maximum longevity and not have a foaming agent that creates air pockets within the plastic wall.

Vertical and Lateral Load Rating:

- Compliant with AASHTO, Design Load of H-10; ASTM C 857-95, Design Load of A-8, 8,000 lbs, transferred through a 10" x 10" steel plate centered in the cover and body.
 - Compliant with AASHTO, Design Load of H-20; ASTM C 857-95, Design Load of A-16, 16,000 lbs, transferred through a 10" x 20" steel plate centered on the cover and body.
 - This product is designed to withstand H-10 and H-20 loading in non-deliberate or incidental traffic areas.
- NOT INTENDED TO BE INSTALLED IN ROADWAYS.**

Polymer LID

- The Polymer lid shall have a molded pick hole pocket (3" x 9/16" x 1-1/4" Deep w/ 3/16" 304 SS Rod)- as illustrated.
- The Polymer lid shall seat securely and evenly inside the Meter Box and shall not overlap the top edge of the Meter Box.
- The Polymer lid shall seat securely and evenly inside the Concrete Meter Box and shall not overlap the top edge of the Concrete Meter Box of similar dimensions.
- The Polymer lid shall have 3 (three) pieces of 1/2" rebar located in lid as illustrated for locatability and resistance to floating.
- The Polymer lid shall have molded tread-pattern for skid resistance- tread dimensions shall be .188 x .938 x .150 deep.
- The Polymer lid shall have "Water Meter" molded into the lid- Font shall be Std Fadal CNC Font with 1" characters x .150 deep.
- The Polymer lid shall retrofit existing concrete meter boxes with similar dimensions and be able to adjust in the field.
- The Polymer lid shall be black and have a molded recycled emblem with a minimum of 50% Post Consumer Recycled and 50% Post Industrial/ Pre Consumer Recycled Content- Verified with a Leed Product Documentation.
- The Polymer lid shall be DFW Plastics Inc, **MADE IN USA.**- Domestic Only.



DFW39F-1EP-LID

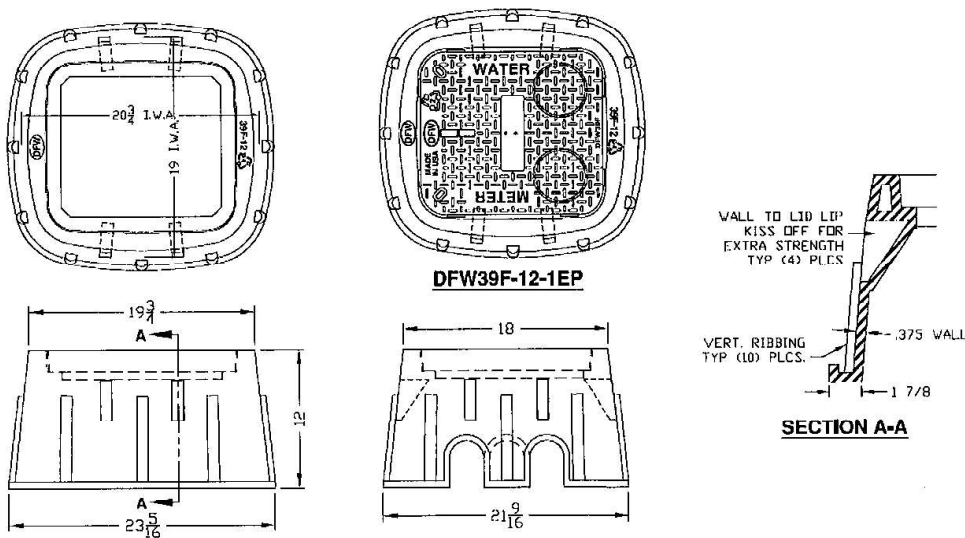
This product is designed to withstand loading in non-deliberate and incidental traffic. Not to be installed in roadway. Meter Box shall be black and constructed out of modified polyethylene material for maximum durability and corrosion resistance. The black material is for maximum UV protection. The black material shall be uniform throughout the Meter Box for maximum longevity and not have a foaming agent that creates air pockets within the plastic wall.

Vertical and Lateral Load Rating:

- Compliant with AASHTO, Design Load of H-10; ASTM C 857-95, Design Load of A-8, 8,000 lbs, transferred through a 10" x 10" steel plate centered in the cover and body.
- Compliant with AASHTO, Design Load of H-20; ASTM C 857-95, Design Load of A-10, 16,000 lbs, transferred through a 10" x 20" steel plate centered on the cover and body.
- This product is designed to withstand H-10 and H-20 loading in non-deliberate or incidental traffic areas.
NOT INTENDED TO BE INSTALLED IN ROADWAYS.

Black Polymer Flared Body

- The Polymer body shall be Flared and have a minimum of 3/8" wall thickness- *as illustrated*.
- The Polymer body shall have **Minimum inside** working room of (20-3/4" x 19")- *as illustrated*.
- The Polymer body shall have a 1-7/8" base footing (Section A-A) around the bottom opening to help prevent settling.
- The Polymer body shall have crush resistant ribbing (12 locations of Vertical Ribbing) along the outside of the box.
- The Polymer body shall have a flange around the lid opening to help prevent settling and aide in the adjustment to grade.
- The Polymer body shall have one pipe slot Molded on the inlet side and two on the outlet side end of the body- the pipe slots shall measure - (2-1/4" x 3-1/4").
- The Polymer body shall be black and have a molded recycled emblem with a minimum of 35% Post Industrial/ Pre Consumer Recycled Content- Verified with a **Leed Product Documentation**.
- The Polymer Body shall be DFW Plastics Inc. **MADE IN USA**.- Domestic Only.



Meter Box shall be C Series by DFW Plastics, Inc. or an approved equal. All Specs are subject to change without notice.

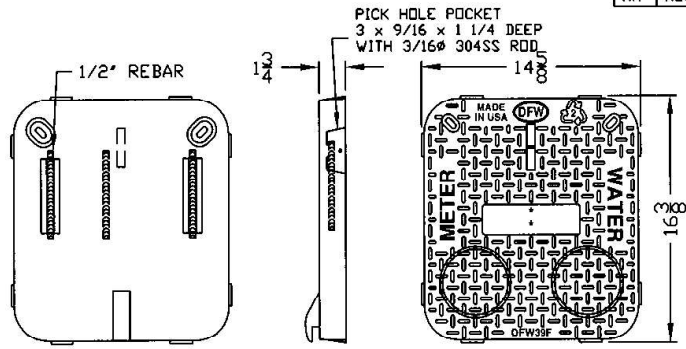
Part No.	Series	Size	Height	Width	Length
DFW39F-12-BODY	39F	19 x 18	12"	Top - 18"	Top - 19-3/4"
DFW39F-12-1EP	39F	19 x 18	12"	Bottom- 21-9/16"	Bottom- 23-5/16"
DFW39C-1EP-LID	39C	17 x 11	1-3/4"	14-5/8"	16-3/8"

Single Services Box for 5/8", 3/4", & 1" Meters
 File: Submittal - DFW39F-12-1EP
 Rev. A August 2012

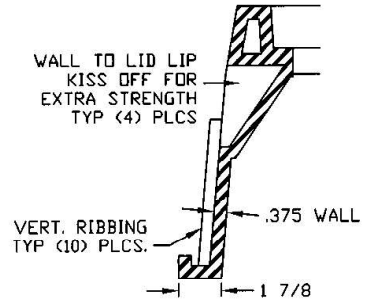
Submitted by:

REVISIONS		
REV	DESCRIPTION	DATE
NR	NEW RELEASE	08/21/12

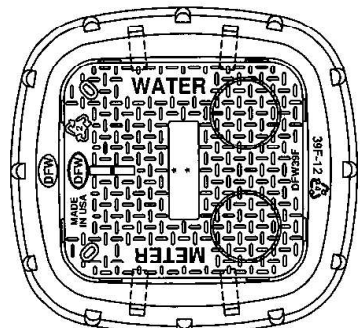
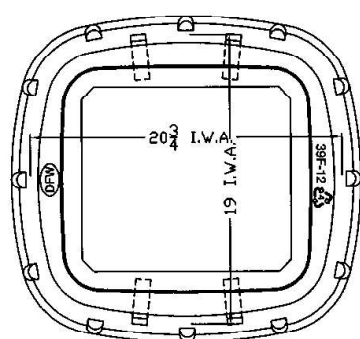
LID KEY	
1	BLACK COLOR
E	REBAR, 1/2"
P	PICK HOLE w/ 3/16 ϕ SS PIN



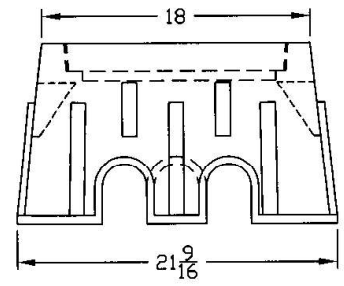
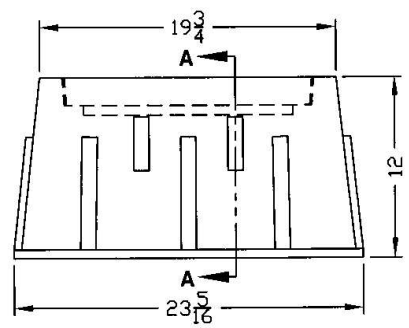
DFW39F-1EP-LID



SECTION A-A



DFW39F-12-1EP



NOTES

- 1) DIM'S \pm 1/8 U.N.O.
- 2) LID MATERIAL: H.D.P.E.
- 3) BODY MATERIAL: L.L.P.E.
- 4) WALL THICKNESS: 3/8 \pm 5%
- 5) I.W.A. = INSIDE WORK AREA

DFW PLASTICS, INC. ENGAGES IN ONGOING RESEARCH AND DEVELOPMENT TO IMPROVE AND ENHANCE ITS PRODUCTS. THEREFORE, DFW PLASTICS, INC. RESERVES THE RIGHT TO CHANGE PRODUCT OR SYSTEM SPECIFICATIONS WITHOUT NOTICE.

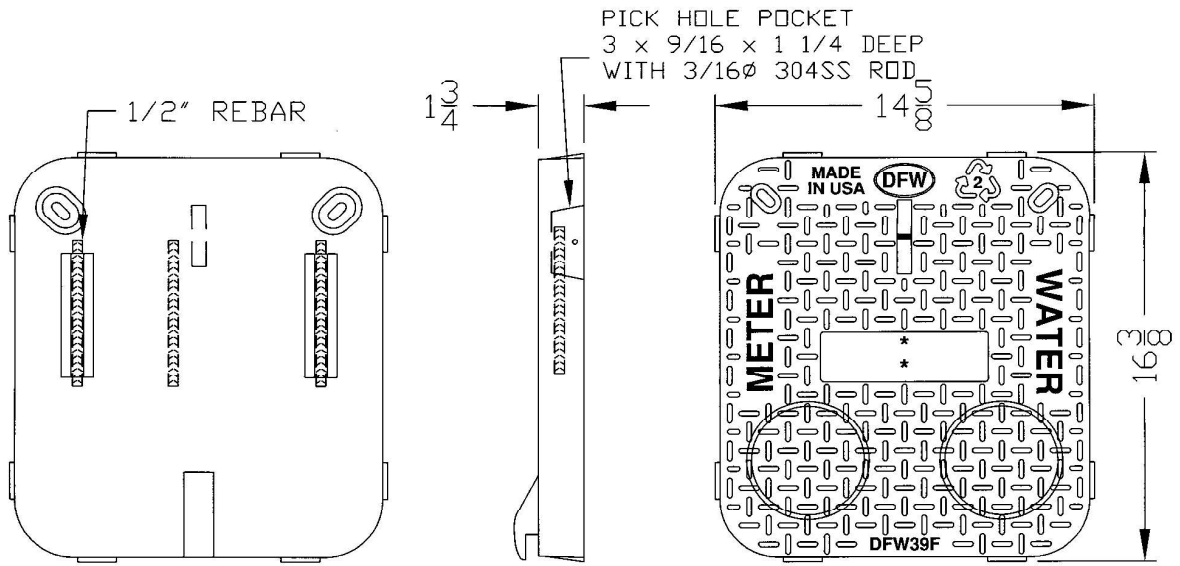


DFW PLASTICS, INC.
901 EAST INDUSTRIAL AVE
FORT WORTH, TX. 76131
(817) 439-3600
(817) 439-3700 (f)
www.dfwplasticsinc.com

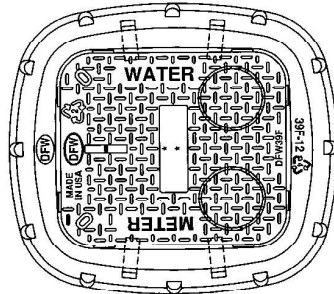
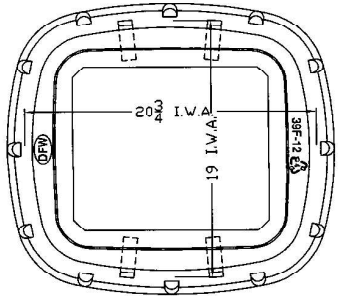
DFW39F-12-1EP

CREATED:	08/21/12
UPDATED:	08/21/12
ACCEPTED:	BMCK
DRAWN BY:	J.C.A.
PLOT SCALE:	1:10

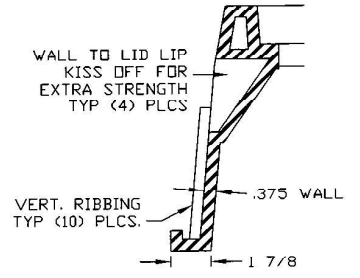
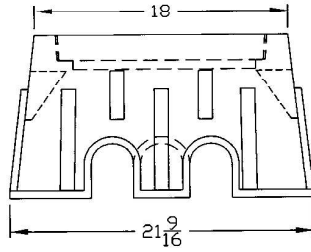
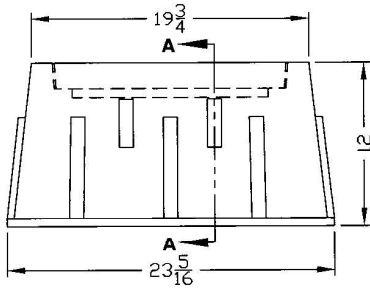
THIS DRAWING IS THE PROPERTY OF DFW PLASTICS, INC.



DFW39F-1EP-LID



DFW39F-12-1EP



SECTION A-A